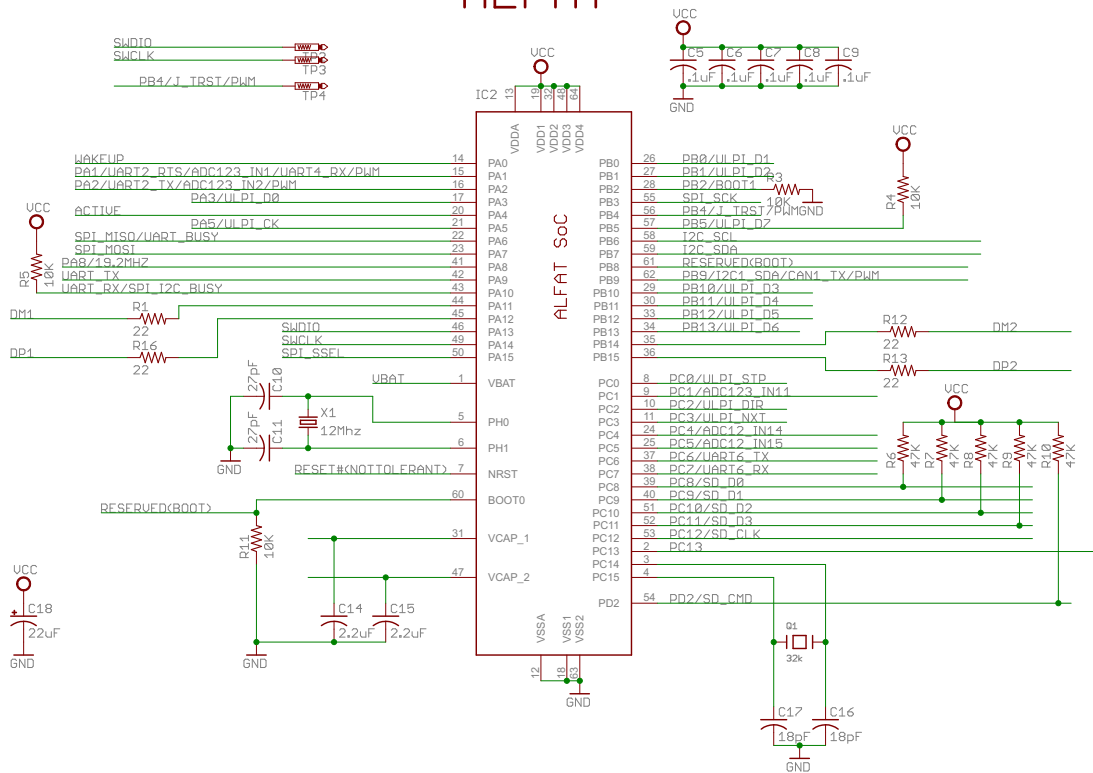
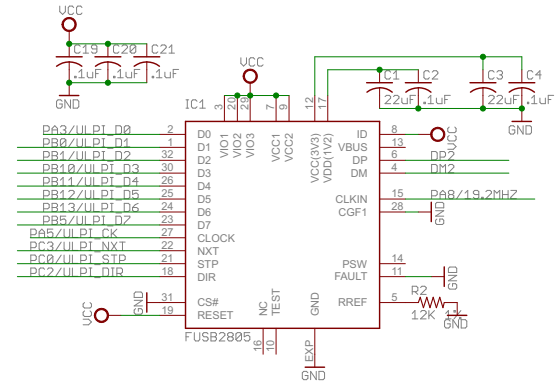


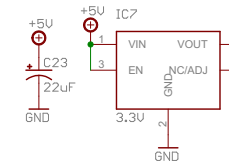
ALFAT



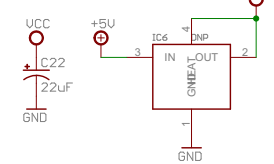
Optional HS PHY



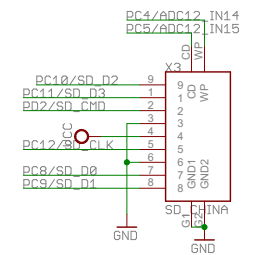
3.3V Regulator



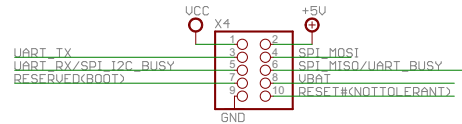
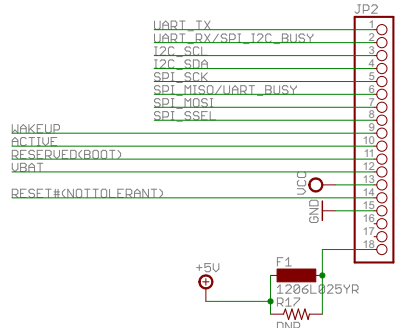
Alternate 3.3V



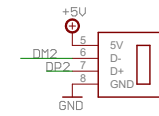
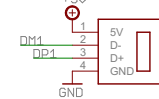
SD Connector



User Interface



USB connectors



GHI Electronics, LLC

Provided AS IS for reference only

ALFAT-OEM

TITLE: ALFAT	
Document Number:	REV:
Date: 4/2/2014 10:28:06 AM	Sheet: 1/2

